

High power clamp
 Made from hardened steel
 Sliding clamping arm
 Mounting with M12 and M16



KOSTO clamp

Clamping force	Mounting	Clamping range	Clamping Height	Clamping torque	Ref.
25000 N.	M 12	32 to 97	0 to 63 mm	100 N.m	08-012
25000 N.	M 16	32 to 97	0 to 63 mm	100 N.m	08-016

Mounting screw (class 12/9) and swivel shoe (smooth) supplied

Ref.

Clamping key

08-344

Comprising:

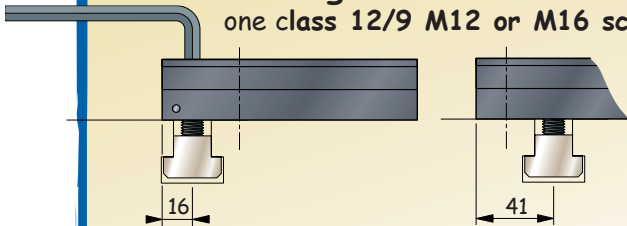
- 1 sliding handle (1/2" square)
- 1 x 13 mm hexagonal socket



For T-slot tables with slots from 14 mm and M 12 and M 16-type modular tables

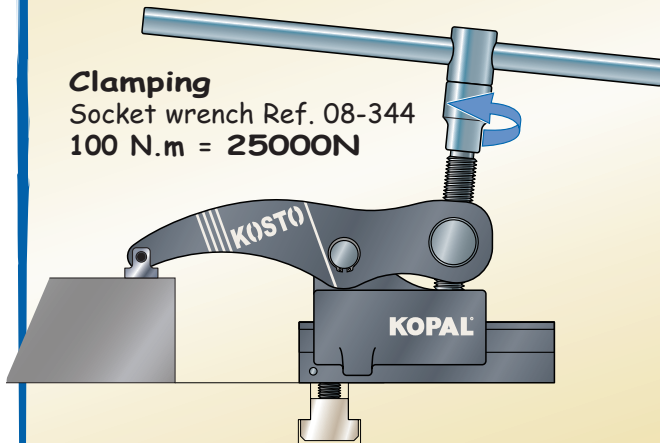
Mounting the slide

one class 12/9 M12 or M16 screw (supplied)

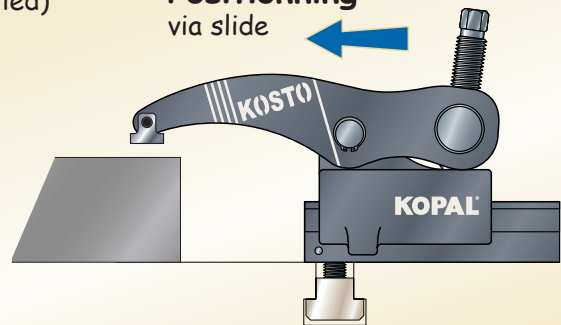


Clamping

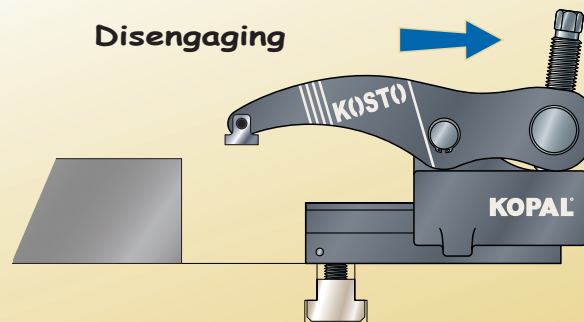
Socket wrench Ref. 08-344
 100 N.m = 25000N



Positioning via slide



Disengaging



Accessories

Ref.

60 mm stainless steel Riser Block

M 12 mounting **08-003**

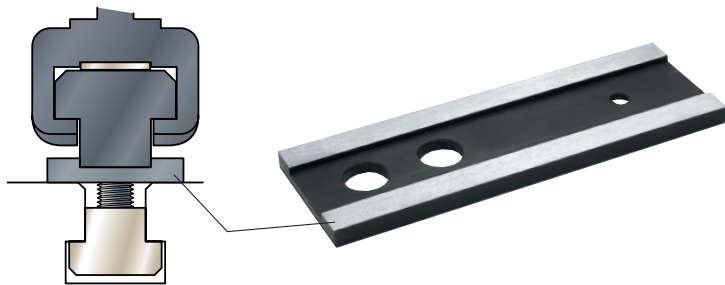
M 16 mounting **08-004**

120 mm stainless steel Riser Block

M 12 mounting **08-005**

M 16 mounting **08-006**

supplied with a 12/9 class mounting screw



Stainless steel **Base Plate**

For lengthways use of clamp in slot measuring more than 18 mm

M 12 mounting

08-001

M 16 mounting

08-002

Stainless steel **slide**

M 12 mounting

08-007

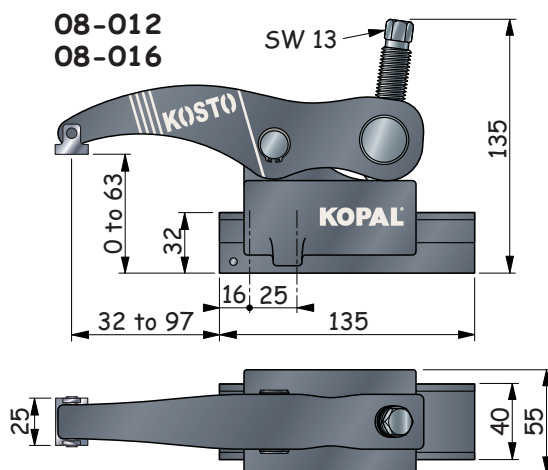
M 16 mounting

08-008

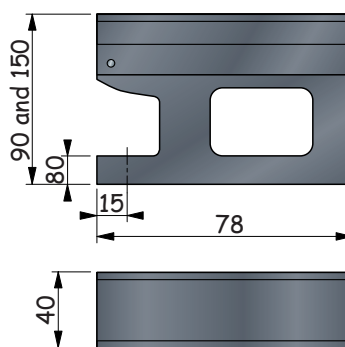


08-012
08-016

SW 13



08-003 / 08-004
08-005 / 08-006



Clamping shoes

(with mounting pin)

type

Ref.

Smooth

08-602



Ribbed

08-604



Longways V

08-606



Crossways V

08-608



T-nuts
Slot size

M 12
Ref.

M 16
Ref.

14 mm

90-150

16 mm

90-155

18 mm

90-160

90-250

20 mm

90-165

90-255

22 mm

90-170

90-260

24 mm

90-175

90-265

28 mm

90-180

90-270

