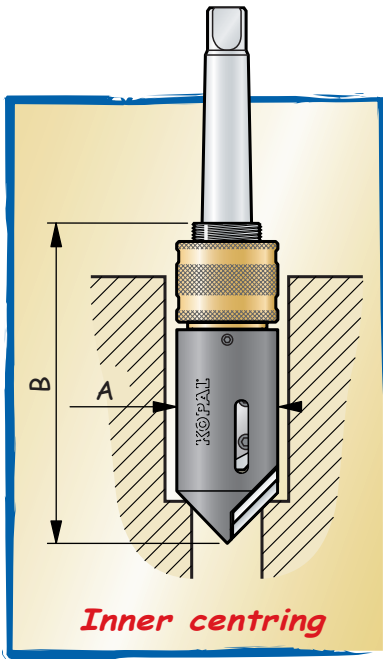


Slim Line can help you with problems of difficult access.



SLIM LINE

Compact devices



Model	A	B
		90° / 60°
3-19	Ø 19.5	68 / 78
4-30	Ø 32	103
10-30	Ø 32	100 / 112
4-42	Ø 44	135

Chamfers in a deep counterbore or along a surface all cylindrical, polygonal, or interrupted holes at 90°.

Diameter of the chamfer	Model	Attachment	Angle of the chamfer tip	
			60° Ref.	90° Ref.
3 to 19	3-19	cyl. Ø 10	03-015	03-010
4 to 31	4-30	Weldon Ø 16		03-016
		CM1	03-035	03-020
11 to 31	10-30	CM2	03-036	03-021
		cyl. Ø 12	03-040	03-025
		CM2		03-051
5 to 41	4-42	Weldon Ø 20		03-053
		cyl. Ø 12.7		03-055

