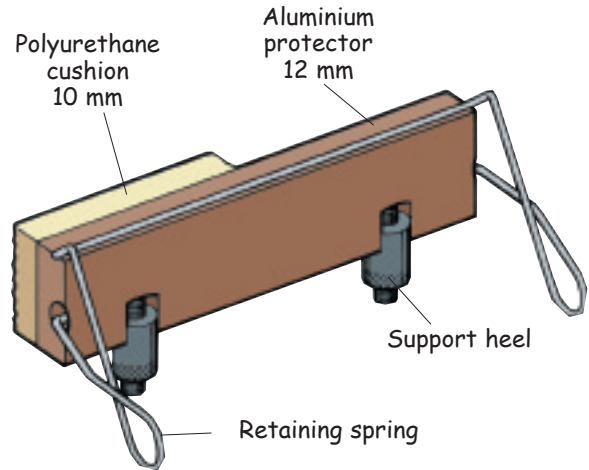
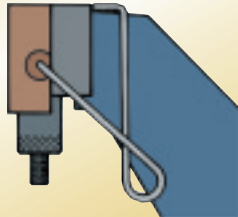


Clip-on protectors (with spring).
The Clip-on protectors each have a spring that holds them in place and presses them against the hard jaws of the vice.

For vices measuring from 100 mm to 175 mm in width

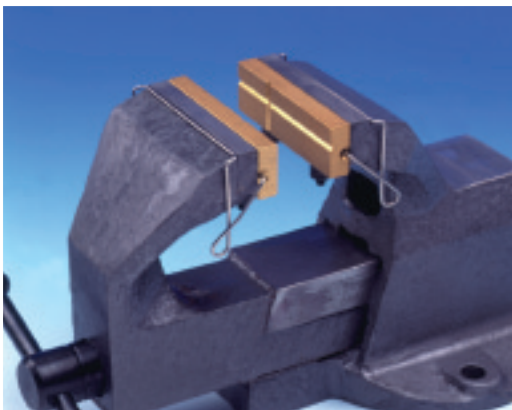


Two adjustable heels provide support under the hard vice jaws, making it possible to adjust the clip-on protectors to various heights of hard jaws.



*Precise shape
Flexibility of polyurethane
Remain in place on the vice*

The aluminium clip-on protectors form a precise prism with V-shaped notches to clamp small workpieces (vertical V-block, horizontal V-block, and 45° diagonal V-block).



Aluminium clip-on protectors

| For vice width : | Ref. |
|------------------|--------|
| 100 mm | 24-020 |
| 115 mm | 24-022 |
| 125 mm | 24-025 |
| 135 mm | 24-027 |
| 150 mm | 24-030 |
| 160 mm | 24-035 |
| 175 mm | 24-040 |

When the clip-on protectors are covered with a permanently elastic polyurethane cushion, they can be used for clamping fragile or complex-shaped workpieces.

Polyurethane clip-on protectors

| For vice width : | Ref. |
|------------------|--------|
| 100 mm | 24-060 |
| 115 mm | 24-065 |
| 125 mm | 24-070 |
| 135 mm | 24-075 |
| 150 mm | 24-080 |
| 160 mm | 24-085 |
| 175 mm | 24-090 |

