

### Pincers and Cutters for chips

Due to their high clamping force, the cutters and pincers make it possible to cut chips and to clean tools in complete safety.

They are available with a square-shaped aluminium protection plate or with a polyethylene protecting hilt, for complete hand protection.



#### Chip pincers

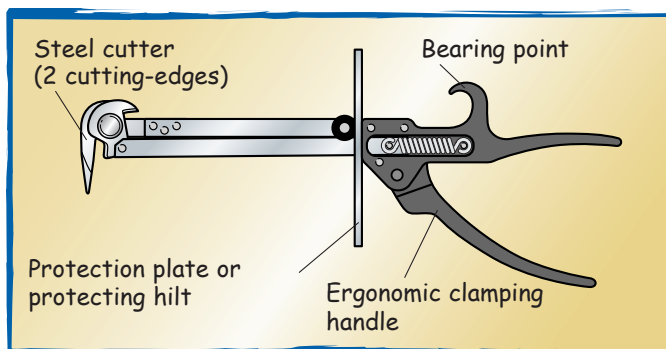
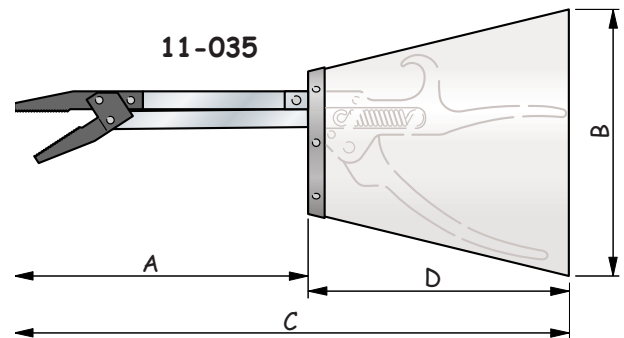
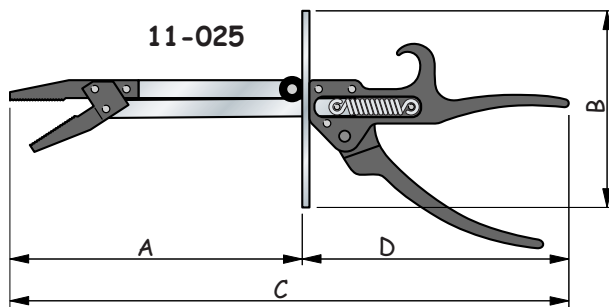
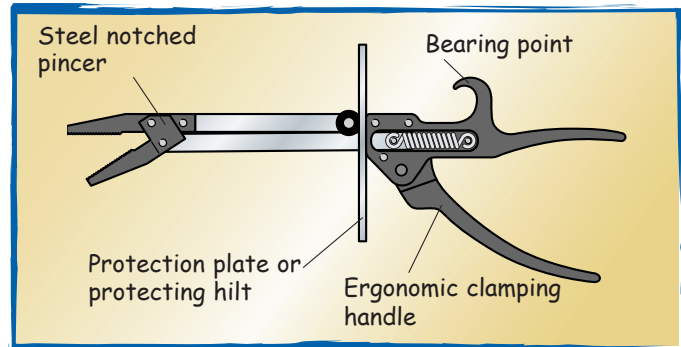
For powerful grip and chip handling.

A	B	C	D	Ref.
175	85 x 85	330	155	11-025

With aluminium protection plate

175	∅ 180	355	180	11-035
-----	-------	-----	-----	--------

With protecting hilt



#### Chip cutters

For chip cutting.

1.5 mm<sup>2</sup> max (e.g. : 0.25 x 6 mm)

A	B	C	D	Ref.
165	85 x 85	320	155	11-050

With aluminium protection plate

165	∅ 180	345	180	11-060
-----	-------	-----	-----	--------

With protecting hilt

