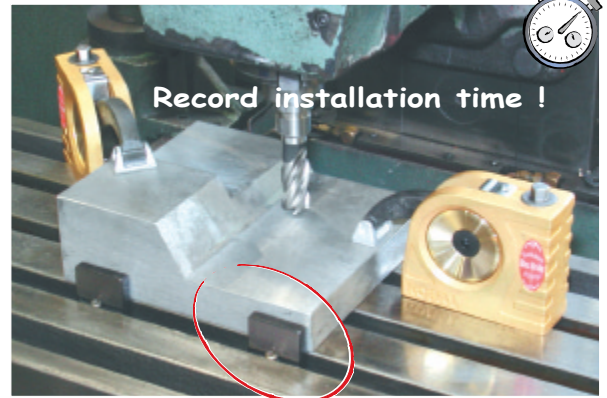


**An essential addition to your clamping system**

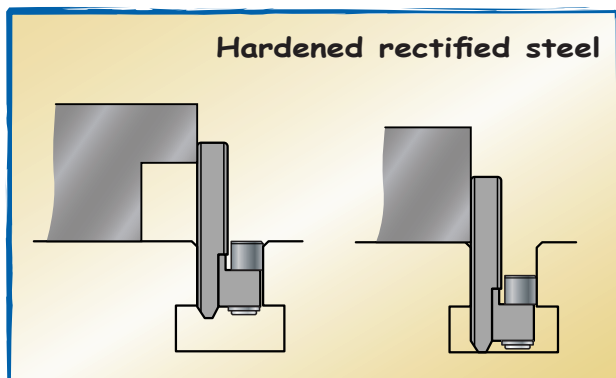
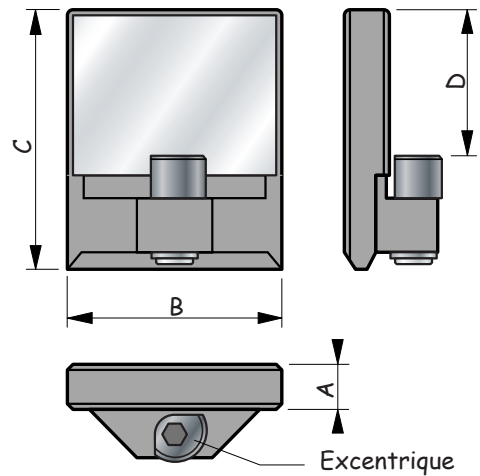
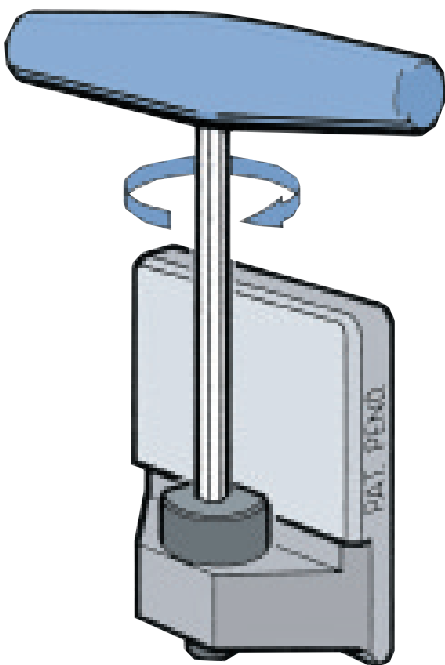
At last a stop is available that can be installed in just a few seconds directly in table slots measuring 12 to 22 mm.

It is fixed in position via a 1/4 turn-type rapid-clamping eccentric.



*Very compact  
High stability  
Very quick mounting  
and dismounting*

*Remains perfectly  
in place !*



Stops for slots  
Set of 2 stops

For slot size	A	B	C	D	Ref.
12 mm	6	25	33	17	26-020
14 mm	6	30	36	20	26-025
16 mm	8	30	40	20	26-030
18 mm	9.8	40	40	21	26-035
22 mm	12	50	55	27	26-045