

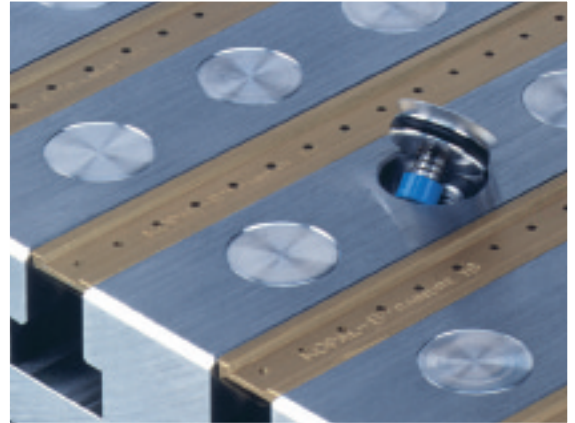
FOR TABLES WITH HOLES

An O-ring holds the aluminium plug in place in the bore hole.

The plugs, which do not go protrude above table level, can remain in place under installed elements (clamps, vices, etc.).

They can be installed and removed in a matter of seconds using a suction lever.

For hole sizes : \varnothing 12, 16, 18, 20, 22, 24 and 26 mm.



Reduces table cleaning time



The covers are completely smooth and leave the table surface completely clear, thus facilitating cleaning and lubricant flow.

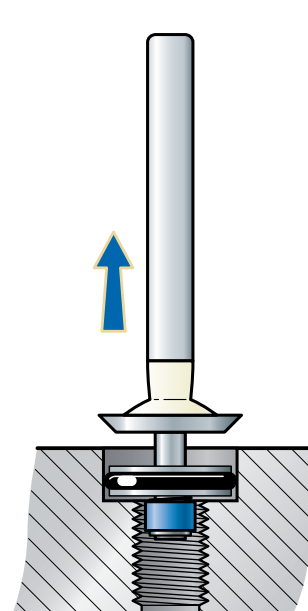
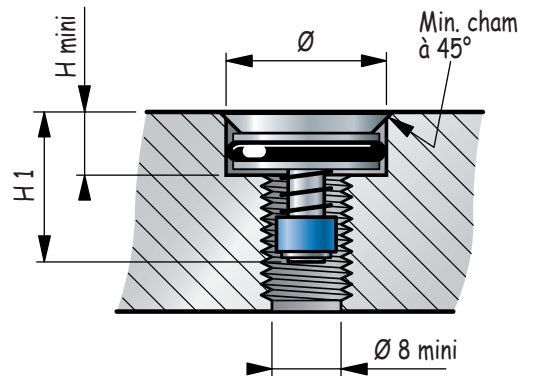
Holes covers for modular tables

For hole \varnothing	H min.	H 1	Chamfer	Ref.
\varnothing 12 mm	4.3	19.5	0.8	13-005
\varnothing 16 mm	4.9	19.5	1.3	13-010
\varnothing 18 mm	5	19.5	1.3	13-015
\varnothing 20 mm	5.5	19.5	1.3	13-020
\varnothing 22 mm	6.5	20.5	1.3	13-025
\varnothing 24 mm	6.5	20.5	1.5	13-030
\varnothing 26 mm	6.5	20.5	1.8	13-035

Removal suction lever

For all covers

13-040



For holes

- \varnothing 12
- \varnothing 16
- \varnothing 18
- \varnothing 20
- \varnothing 22
- \varnothing 24
- \varnothing 26

